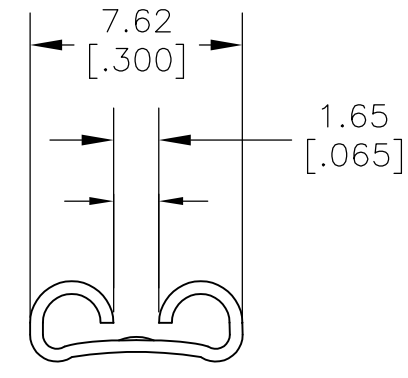
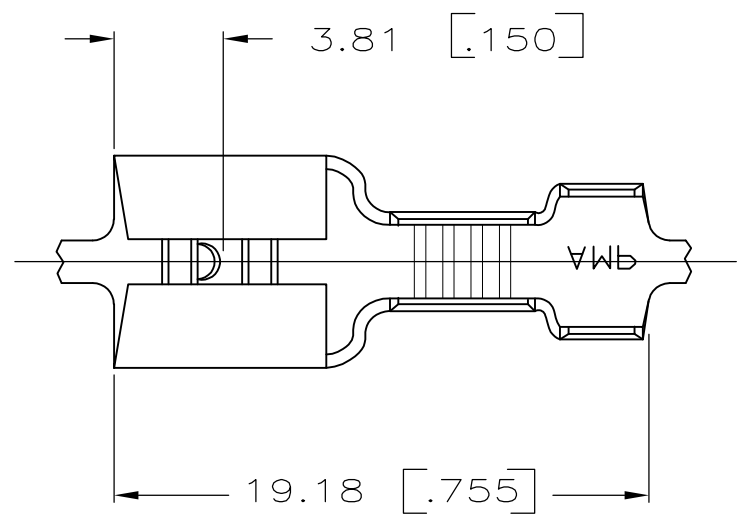
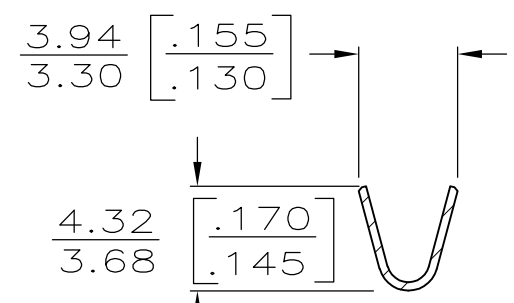
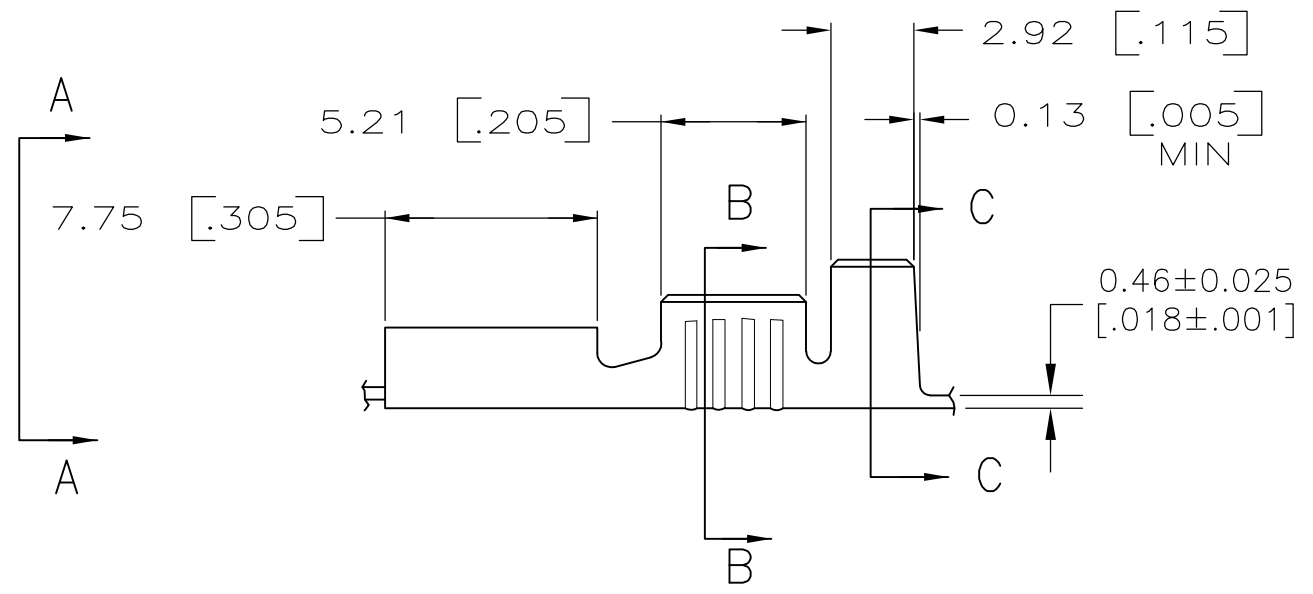


| LOC | DIST | REVISIONS |     |                           |           |     |      |
|-----|------|-----------|-----|---------------------------|-----------|-----|------|
| AF  | 50   | P         | LTR | DESCRIPTION               | DATE      | DWN | APVD |
|     |      |           | U1  | REVISED PER ECR-14-000489 | 11MAR2014 | KB  | RP   |

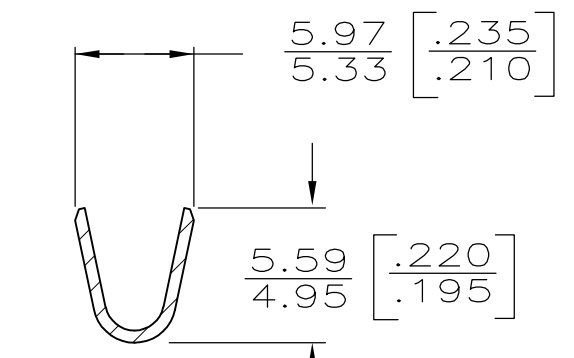
- 1 DIM'S IN BRACKETS ARE IN INCHES
- 2 CONTINUOUS STRIP ON REELS
- 3 WIRE SIZE 0.8-2.0mm [#18-#14] AWG
- 4 INSULATION RANGE IS 3.05-4.32 [.120-.170] DIA.
- 5 MATING TAB THK IS 0.81±0.025 [.032±.001].
- 6 0.38 X 15° [.015 X 15°] SWAGE ON FRONT OF RECEPTACLE. FOR FOREIGN PRODUCTION ONLY.



VIEW A-A



SECT B-B



SECT C-C

|        |          |   |          |
|--------|----------|---|----------|
| TIN    | BRASS    | 6 | 41274-1  |
| TIN    | BRASS    |   | 41274    |
| FINISH | MATERIAL |   | PART NO. |

|                    |             |                    |                   |             |                      |            |
|--------------------|-------------|--------------------|-------------------|-------------|----------------------|------------|
| F OR O             | 4.57 [.180] | 6.4 [.252]         | F                 | 3.05 [.120] | 1.90 [.075]          | 2.0mm [14] |
|                    |             |                    |                   |             | 1.68 [.066]          | 1.3mm [16] |
|                    |             |                    |                   |             | 1.55 [.06]           | 0.8mm [18] |
| TYPE               | WIDTH       | STRIP LENGTH ±.015 | TYPE              | WIDTH       | ±.051 [±.002] HEIGHT | WIRE       |
| INSUL BARREL CRIMP |             |                    | WIRE BARREL CRIMP |             |                      |            |

THIS DRAWING IS A CONTROLLED DOCUMENT.

|                  |          |        |
|------------------|----------|--------|
| DWN              | JR RUTH  | 2/5/86 |
| CHK              | G YETTER | 2/5/86 |
| APVD             | R KUZO   | 2/5/86 |
| PRODUCT SPEC     |          |        |
| APPLICATION SPEC |          |        |
| WEIGHT           |          |        |
| CUSTOMER DRAWING |          |        |

**STE** TE Connectivity

NAME: .250 SERIES FASTON RECEPTACLE

SIZE: A3 CAGE CODE: 00779 DRAWING NO: C-41274 RESTRICTED TO: -

SCALE: 4:1 SHEET: 1 OF 1 REV: U1